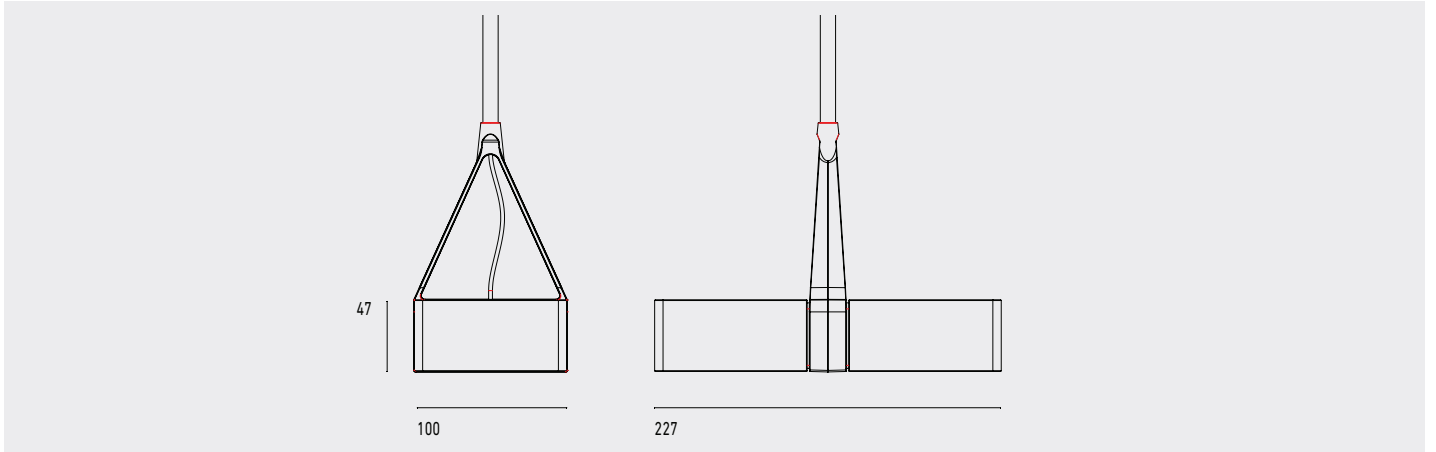


102 10 2000--:---
Fade 100 Up Suspension Type 1

Separate LED Power Supply 24V-DC

3W 24V-DC
Class III
IP65



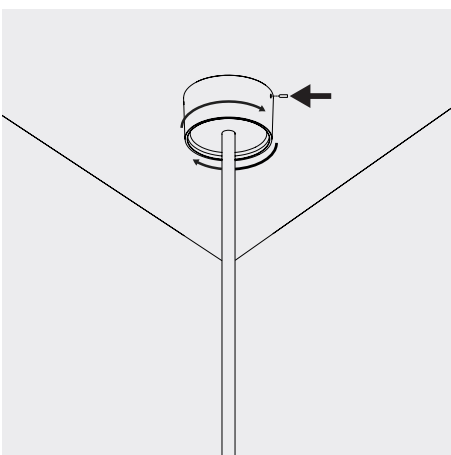
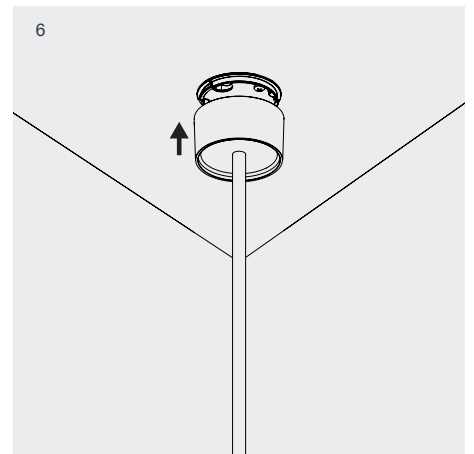
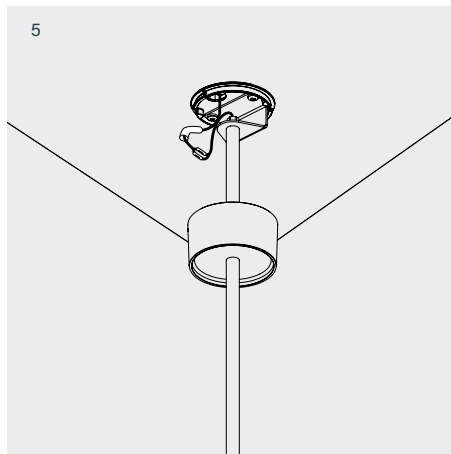
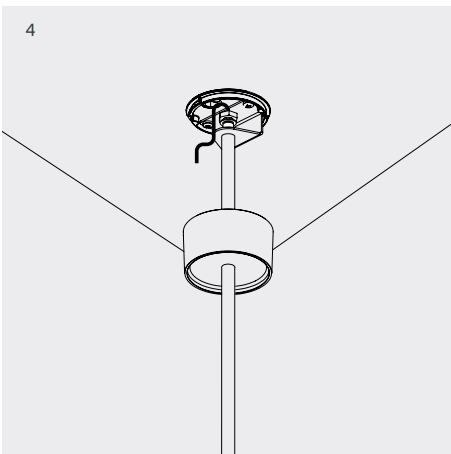
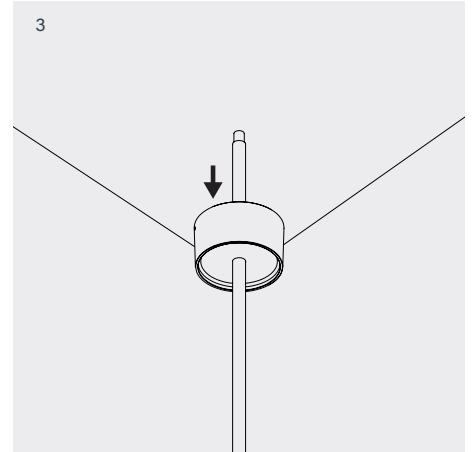
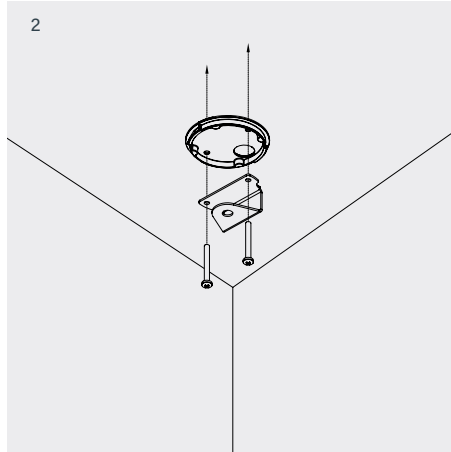
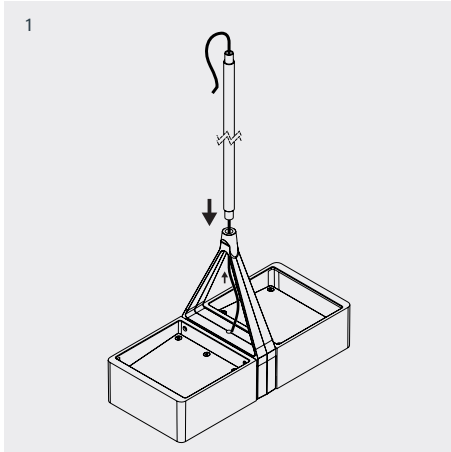
102 10 2000--:---
 Fade 100 Up Suspension Type 1

Separate LED Power Supply 24V-DC

3W 24V-DC

Class III

IP65



Installation

- 1 Screw suspension rod into Suspension bracket, pulling cable through suspension rod
- 2 Screw mounting base + bracket to ceiling
- 3 Slide Ceiling Base 070 over Suspension rod, being careful to avoid scratching rod
- 4 Fix suspension rod to mounting bracket using nuts and washers provided
- 5 Terminate cables to remote 24V supply using crimps and heat shrink provided
- 6 Slide Ceiling Base 070 up and over mounting bracket and base
- 7 Twist and lock Ceiling Base 070 into position, fasten with grub screw